

Description : DUNE MC MK3

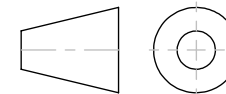
Code : AL5004

Scale : 1:5

SHEET 1 OF 2

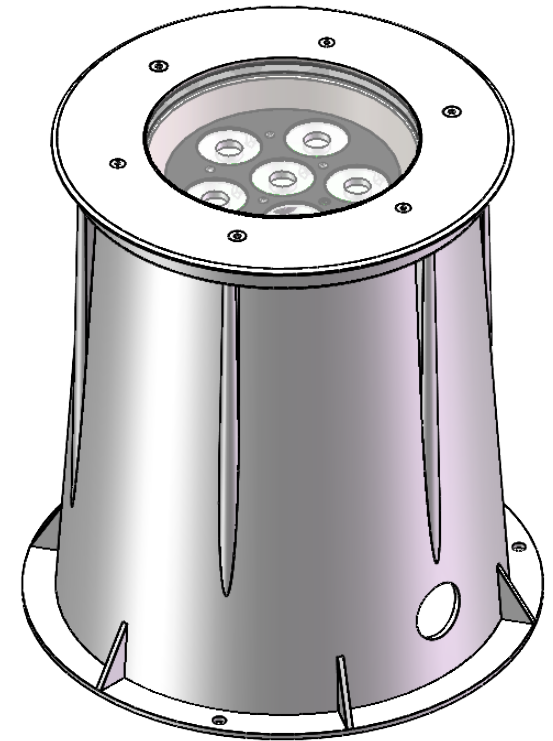
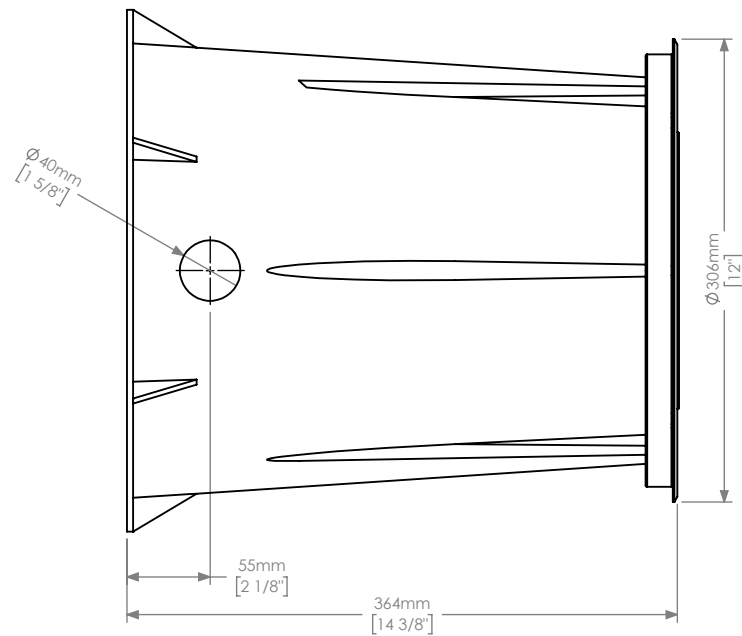
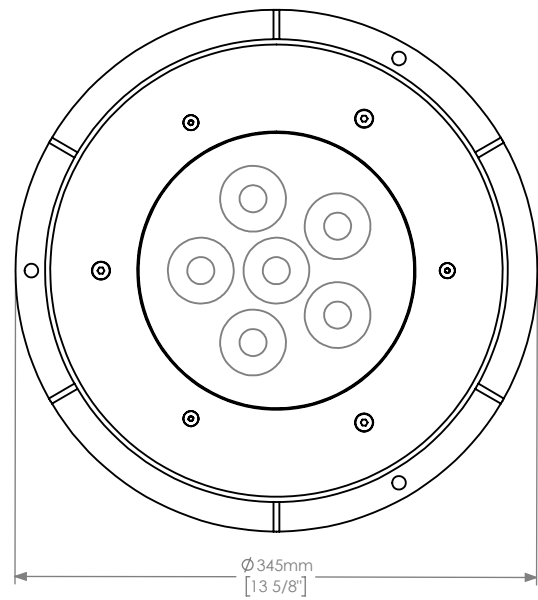
Revision : 02

DIMENSIONS ARE IN MILLIMETERS [BRACKETED DIMENSIONS ARE IN INCHES]



GRIVEN 

<http://www.griven.com>



Description : DUNE MC MK3

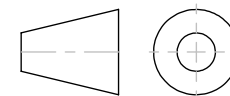
Code : AL5004

Scale : 1:5

SHEET 2 OF 2

Revision : 02

DIMENSIONS ARE IN MILLIMETERS [BRACKETED DIMENSIONS ARE IN INCHES]



GRIVEN 

<http://www.griven.com>